

SIMPLE OUTPUT FILTER ELIMINATES ISO AMP OUTPUT RIPPLE AND KEEPS FULL BANDWIDTH

By Mark Stitt (602) 746-7445

The ISO120/121/122 isolation amplifiers (ISO amps) have a small (10-20mVp-p typ) residual demodulator ripple at the output. A simple filter can be added to eliminate the output ripple without decreasing the 50kHz signal bandwidth of the ISO amp.

The ISO120/121/122 is designed to have a 50kHz single-pole (Butterworth) signal response. By cascading the ISO amp with a simple 50kHz, Q = 1, two-pole, low-pass filter, the overall signal response becomes three-pole Butterworth. The result is a maximally flat 50kHz magnitude response and the output ripple reduced below the noise level.

Figure 1 shows the complete circuit. The two-pole filter is a unity-gain Sallen-Key type consisting of A₁, R₁, R₂, C₁, and C₂. The values shown give Q = 1 and f_{-3dB} bandwidth = 50kHz. Since the op amp is connected as a unity-gain follower, gain and gain accuracy of the ISO amp are unaffected. Using a precision op amp such as the OPA602 also preserves the DC accuracy of the ISO amp.

Figure 2 compares the magnitude response of the standard and filtered ISO amp. Figures 3 and 4 show the output ripple improvement. Figures 5 and 6 show the good step response of both the standard and filtered ISO amp.

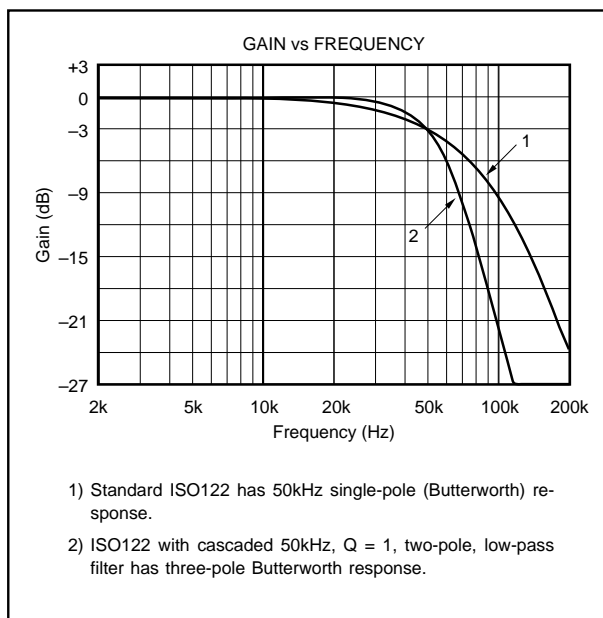


FIGURE 2. Gain vs Frequency Plot.

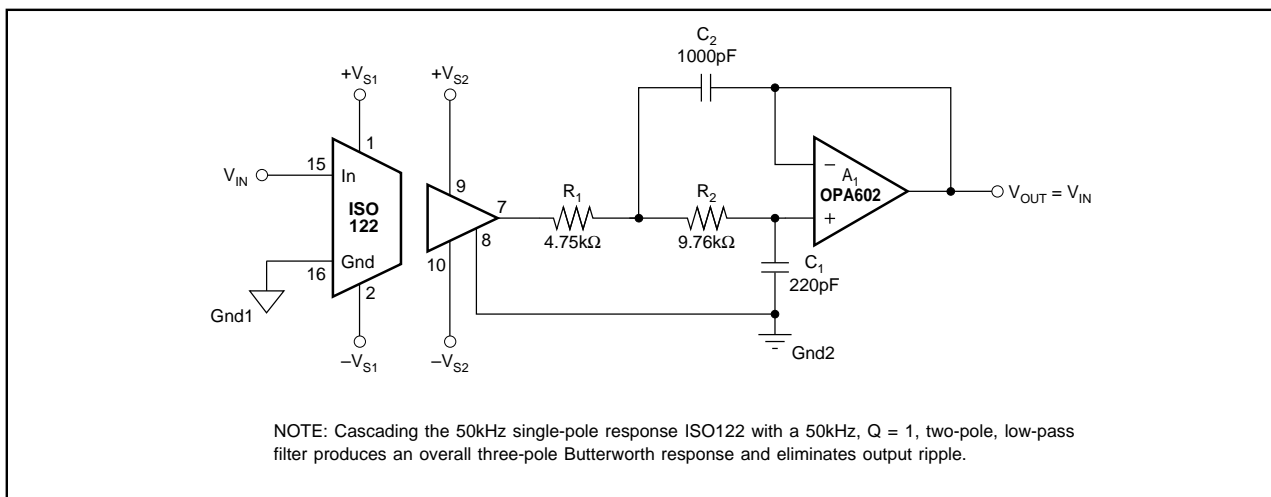


FIGURE 1. ISO122 with Output Filter for Improved Ripple.

The information provided herein is believed to be reliable; however, BURR-BROWN assumes no responsibility for inaccuracies or omissions. BURR-BROWN assumes no responsibility for the use of this information, and all use of such information shall be entirely at the user's own risk. Prices and specifications are subject to change without notice. No patent rights or licenses to any of the circuits described herein are implied or granted to any third party. BURR-BROWN does not authorize or warrant any BURR-BROWN product for use in life support devices and/or systems.

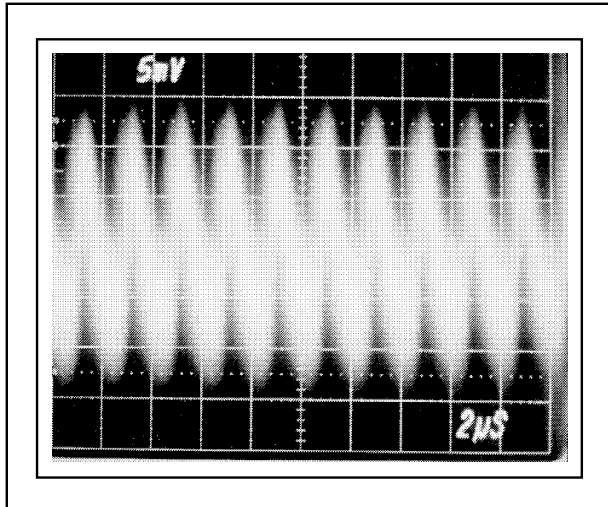


FIGURE 3. Standard ISO122 (approximately 20mVp-p output ripple).

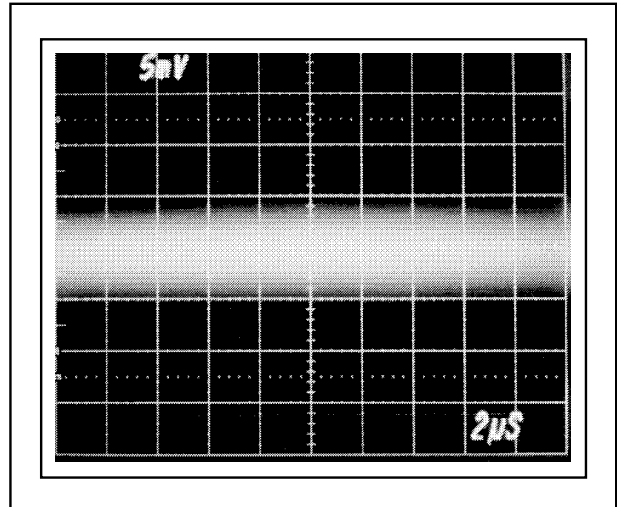


FIGURE 4. Filtered ISO122 (no visible output ripple).

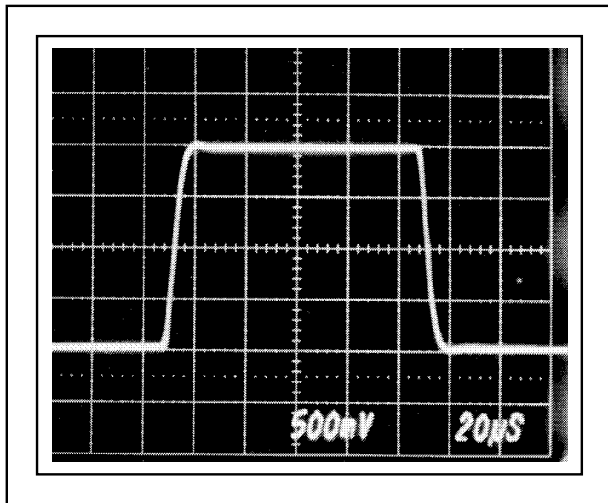


FIGURE 5. Step Response of Standard ISO122.

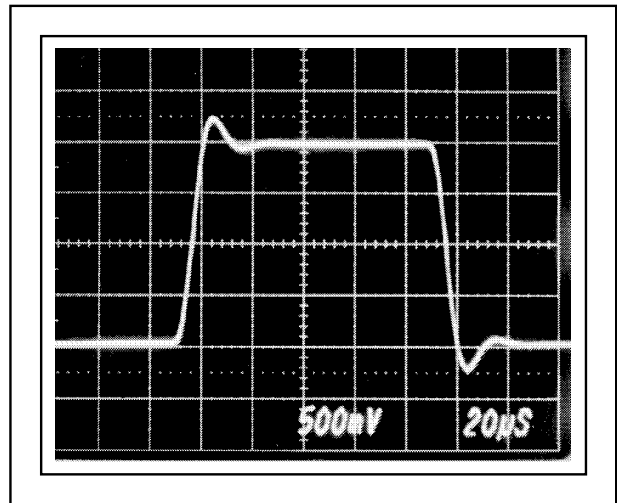
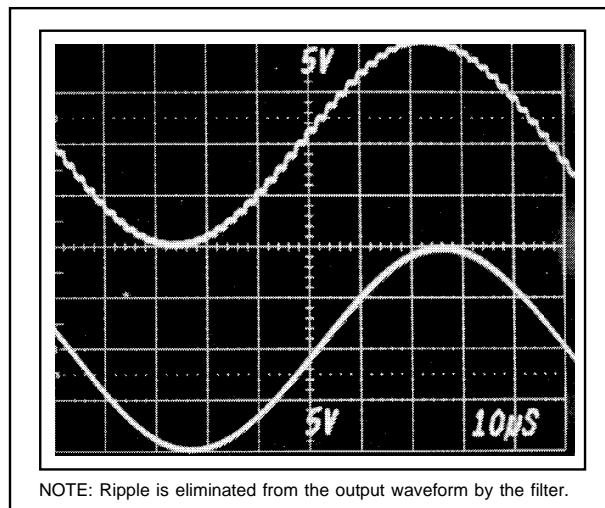


FIGURE 6. Step Response of ISO122 with Added Two-pole Output Filter.



NOTE: Ripple is eliminated from the output waveform by the filter.

FIGURE 7. Large-signal, 10kHz Sine-wave Response of ISO122 with and without Output Filter.